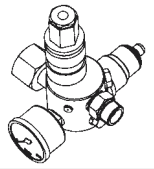




HI-FOG®

Technical Data Sheet TD7049

Pneumatic Actuator Valve

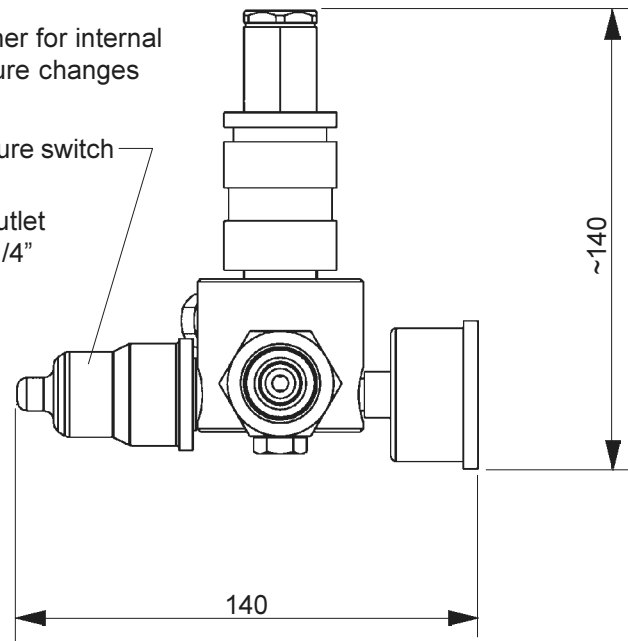
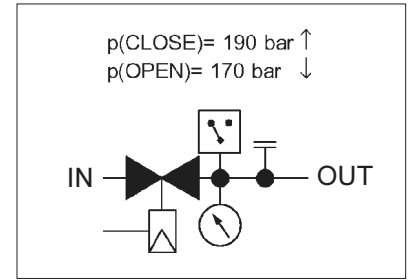
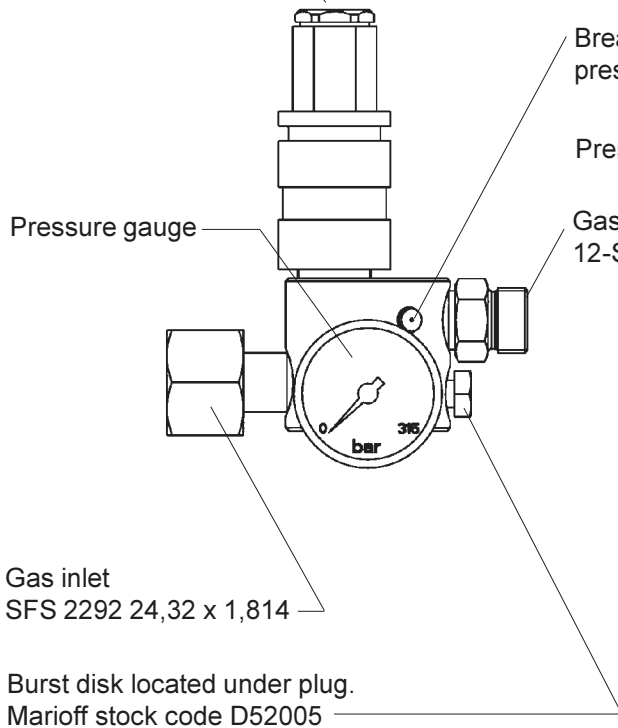


Stock code D21050.2

TA

05 Oct 2004

Release pressure to the valve
R 1/4"



General	Body material	Brass, nickel plated
	Max. working pressure	200 bar
Operation	<p>The valve is normally connected directly or via an adapter to an air or nitrogen cylinder. It is used to release the contents of the cylinder into a GPU, a water accumulator unit (MAU, DAU, KAU, ...) or an MT3 system or equivalent. Pneumatic actuator valve is released by the release pressure to allow the gas flow to the piping system.</p> <p>To monitor the gas cylinder pressure, the valve is equipped with a pressure gauge and a pressure switch.</p> <p>Once released, the valve remains open as long as the valve is pressurised.</p>	

Marioff Marioff Corporation Oy, P.O. Box 86, Virnatie 3, FIN-01301 Vantaa, Finland,
tel +358 9 870 851, fax +358 9 8708 5399, e-mail info@marioff.fi, www.hi-fog.com